

1 KWH of power saved =  
0,4kg of coal saved + a reduction of 0.785kg  
of CO2 emissions



Pizza Company store Manor (data of installation 25.10.2018)

Phase	A	B	C
U-Volt	229	228	232

Voltage is higher than standard range. It was recommended to reduce voltage in order to reduce consumption and prolong lifespan of in store electrical equipment

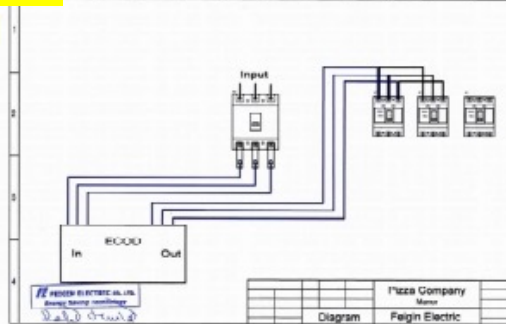
Type of installed device - Smart - Optimizer **ECOD** Series ES-IN-ML-200

Nominal capacity - 110 KVA

Nominal amperage - 160 Amp

Phase	A	B	C
U-Volt	229	228	232
U-Volt with <b>ECOD</b>	217	216	220
I-Amp with <b>ECOD</b>	61	60	59
I-Amp	67	64	65
KW with <b>ECOD</b>	13.9	13.6	13.6
<b>KW</b>	15.8	14.5	15.0
Reduced consumption	-12%	-6.2%	-9.3%

Forecast average energy savings - not less than 9.1 %



1KWH of power saved =  
0,4kg of coal saved + a reduction of 0.785kg  
of CO2 emissions



Pizza Company store Prachachuen (data of installation 2.10.2018)

Phase	A	B	C
U-Volt input	224	227	227

Voltage is higher than standard range. It was recommended to reduce voltage in order to reduce consumption and prolong lifespan of in store electrical equipment

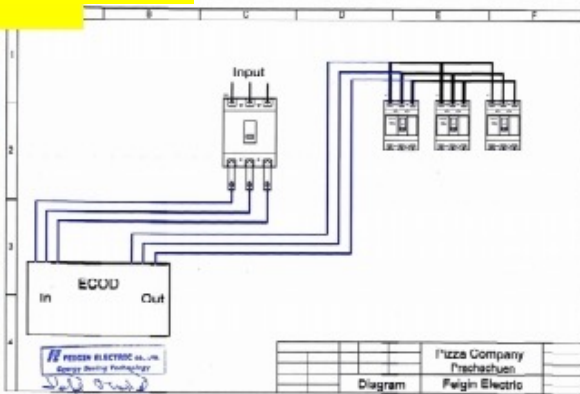
Type of installed device - Smart - Optimizer ECOD Series ES-IN-ML-200

Nominal capacity - 110 KVA

Nominal amperage - 160 Amp

Phase	A	B	C
U-Volt	224	227	227
U-Volt with ECOD	213	215	215
I-Amp with ECOD	39	37	40
I-Amp	42	41	43
KW with ECOD	8.7	8.3	9.0
KW	9.4	9.3	9.8
Reduced consumption	-7.5%	-10.7%	-8.2%

Forecast average energy savings - not less than 8.8 %



1KWH of power saved =  
0,4kg of coal saved + a reduction of 0.785kg  
of CO2 emissions



Pizza Company store Meng-Jai (data of installation 31.10.2018)

Phase	A	B	C
U-Volt input	239	240	242

Voltage is higher than standard range. It was recommended to reduce voltage in order to reduce consumption and prolong lifespan of in store electrical equipment

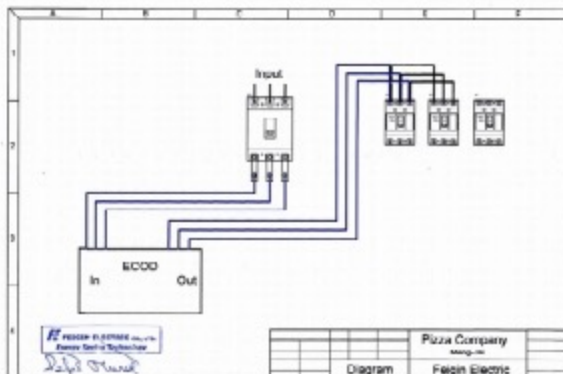
Type of installed device - Smart - Optimizer ECOD Series ES-IN-ML-200

Nominal capacity - 110 KVA

Nominal amperage - 160 Amp

Phase	A	B	C
U-Volt	239	240	242
U-Volt with ECOD	225	230	229
I-Amp with ECOD	45	43	26
I-Amp	50	48	29
KW with ECOD	10.8	10.3	6.3
KW	11.9	11.5	7.0
Reduced consumption	-9.2%	-10.4%	-10.1%

Forecast average energy savings - not less than 9.9 %



1KWH of power saved =  
0,4kg of coal saved + a reduction of 0.785kg  
of CO2 emissions



Pizza Company store Nuan Jan (data of installation 29.10.2018)

Phase	A	B	C
U-Volt input	229	228	229

Voltage is higher than standard range. It was recommended to reduce voltage in order to reduce consumption and prolong lifespan of in store electrical equipment.

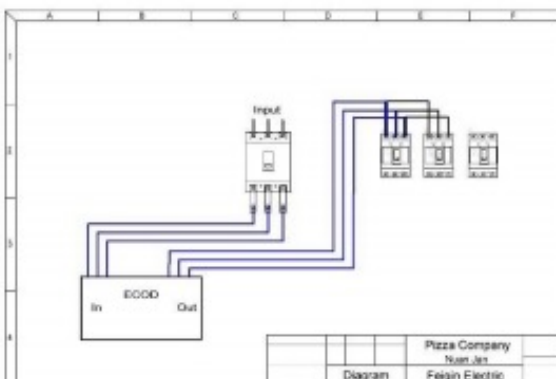
Type of installed device - Smart - Optimizer ECOD Series ES-IN-ML-200

Nominal capacity - 110 KVA

Nominal amperage - 160 Amp

Phase	A	B	C
U-Volt	229	228	229
U-Volt with ECOD	217	216	217
I-Amp with ECOD	42	38	48
I-Amp	46	42	52
KW with ECOD	9.6	8.6	10.9
KW	10.5	9.5	11.9
Reduced consumption	-8.5%	-9.4%	-8.4%

Forecast energy savings - not less than 8.7 %



1KWH of power saved =  
0,4kg of coal saved + a reduction of 0.785kg  
of CO2 emissions



Pizza Company store Rama 2 (data of installation 30.10.2018)

Phase	A	B	C
U-Volt input	228	229	228

Voltage is higher than standard range. It was recommended to reduce voltage in order to reduce consumption and prolong lifespan of in store electrical equipment

Type of installed device - Smart - Optimizer ECOD Series ES-IN-ML-200

Nominal capacity - 110 KVA

Nominal amperage - 160 Amp

Phase	A	B	C
U-Volt	228	229	228
U-Volt with ECOD	217	217	217
I-Amp with ECOD	39	36	35
I-Amp	43	39	38
KW with ECOD	8.9	8.2	7.9
KW	9.8	8,9	8.7
Reduced consumption	-9.1%	-7.8%	-9.1%

Forecast average energy savings - not less than 8.6%

